

**SINGLE CHIP TELEPHONE INTERFACE FOR
KEYBOARD ENTRY VIA μ C**

1 Scope

This application note describes a simple interface for keyboard entry to the SA253x family via a Microcontroller. It also includes hardware description , flowchart and a software example based on the 80Cxx - family of Microcontrollers.

2 Key Features

- only 5 outputs and 1 input required from μ C for handshake to access all keys in the SA253x keyboard matrix
- universal interface, not restricted to specific Microcontrollers
- supports both 3V- and 5V- μ Cs
- same hardware for all single chip telephones : SA2531/2
- same software for all single chip telephones, only key labels must be replaced

Table of Contents

1 SCOPE	1
2 KEY FEATURES	1
3 OTHER APPLICABLE DOCUMENTS AND PAPERS	1
4 REVISION STATUS	2
5 GENERAL DESCRIPTION	2
6 HARDWARE CONFIGURATION	2
7 APPLICATION SCHEMATIC:	2
8 SCANNING TABLE/FLOWCHART	3
9 SAMPLE SOFTWARE	3
10 KEY ENTRY SIGNAL TABLE:	4
11 APPENDIX A: APPLICATION SCHEMATIC	5
12 APPENDIX B: FLOWCHART:	6
13 APPENDIX C: SAMPLE SOFTWARE LISTING	7
14 LIABILITY AND COPYRIGHT STATEMENT	13

3 Other applicable documents and papers

1. Data Sheet SA2531, SA2532
2. Pin-out Comparison SA2531/2
3. Product Presentation
4. Single Chip Telephone Evolution (Apr. 16, 1996)

4 Revision status

SAN3010 Application Note (this document):
AN3010 Schematic: Rev.: A02
AN3010 Sample Software Rev.: A01

5 General Description

The interface must be capable of forcing the keyboard rows (hereafter indicated as R1...R4) both low (V_{SS}) and high (V_{DD}) and forcing the keyboard columns (hereafter indicated as C1...C4) to high (V_{DD}). Only one row or column is forced at the same time while the remaining rows/columns must be high ohmic (hereafter indicated as Hi Z). Since only one row/column must be driven at the same time, a decoder (IC5 = 74138) was implemented to save pin count of the μC . 3 output ports were used for row/column selection, 1 output port to disable all rows/columns and 1 output port for the 3-state buffer inputs to select forcing high or low .

One μC pin must be configured as input for handshake.

If 9 output + 1 input pins are available from the μC (8 row/column selectors, 1 force hi/lo selector , 1 handshake input) , IC5 = 74138 can be omitted.

IC3 & 4 (=74HC125) are separately addressable 3-state buffers.

A simple discrete NOR gate (Q1,D2,D3,R9..11) is used for synchronization.

6 Hardware configuration

The SA253x Single Chip Telephone can be connected to a μC for key entry when the following conditions are met:

Supply voltage: The SA253x works at 4V V_{DD} , its high/low input levels are 30/70% V_{DD} .

If the μC is supplied with >4V a current limiter (serial resistor) must be added to the row/column pins of the SA253x.

If the μC supply is <4V it must provide adequate high level (> 70% V_{DD} of SA253x = >2.8V)

Row driver : 4 Tristate output pins, each separately adjustable as either output (Hi/Lo) or tristate . Only one row is driven at the same time, all other rows/columns are high ohmic.

Column driver: Tristate output pins, each separately adjustable as either output (Hi) or tristate. Only one column is driven at the same time, all other rows/columns are high ohmic.

Synchronization: The SA253x is intentionally designed for low standby power, so no oscillator is running as long as no key is pressed. All the external row/column driving is done asynchronously. The scanning sequence is synchronized by triggering a rising edge on specific columns (see table 1).

Therefore a 1-bit input must be provided for the synchronization.

7 Application schematic:

See also: Appendix A:

One solution which only requires 5 output pins and 1 input pin is shown in the attached schematic. A common μC (80C51-family) is used. This controller is widely known, so both hardware and software description in this application note should be easily understood which simplifies adaption to any other controller.

The rows/columns are driven by 8 separately selectable tristate buffers (e.g. 74HC125). Power supply is 5V, therefore resistors R2...R8 are necessary to provide adaption to the 4V-logic of the SA253x.

R1 is always connected by a 5kOhms resistor to prevent collision of two outputs when it initiates the key entry in an unsynchronous state.

Since only one row/column is forced high or low at the same time the number of μC output port pins can be limited by using a 1-of-8 decoder (74HC138). The 3 bits (A,B,C, respectively Port1 pins 0..2) select the appropriate row/column, Port 1.4 disables all outputs.

The selected row/column is forced high or low depending on the state of Port1.5 .

Port 1.7 is used as input to detect the acknowledge of the SA253x during the scanning phase. Acknowledge is done by the rising edge of either C1,C2,C3 or C4.

The detection logic can be simplified by just monitoring C1 and C2, because one of both can always be used for detection (see table 1, ColY).

Diode D1 is necessary to prevent collision of two outputs when Port1 is in output mode. Since Port1 of the 80C31 is an open-drain output a diode can be used. For other controllers, using standard I/O, a resistor must be used in place of the diode.

8 Scanning table/flowchart

See also: Appendix B:

The interfacing procedure is shown in the attached flowchart, additional information is given below:

- 1) Key entry can only occur, when the SA253x has been off-hook for >20ms.
- 2) Internal key scanning of the SA253x is started when any Row (in our case: R1) has been forced low, then the acknowledge by the SA253x is done by moving specific col-pins high.
- 3) When this Lo/Hi transition is detected by the μC the asynchronous timing must be started.
- 4) SCAN1 and SCAN 2 are the time slots at which a certain row must be forced high (SCAN1) and forced low (SCAN 2) , at time slot SCAN3 a certain column must be forced high. The key entry corresponding Row and Column is shown in table 1. Between the SCAN1..3 time slots all rows and columns must be high ohmic (see flowchart).
- 5) a valid key entry is accepted, when the SCAN1..3 procedure has been repeated 9 times.
- 6) a certain constant delay must be added between key entries. The only exception is, when memory keys are cascaded. In this special case, entering a subsequent memory key is only accepted, when the previous memory has been fully dialed out.

9 Sample software

See also: Appendix C:

Attached is a sample software program, written in 8051 Assembler language which incorporates all the necessary timing and correct row/column selection. The only entry is to load the accumulator with a key code and then make a subroutine call.

See Table 1 for appropriate key codes when using either SA2531-2

The assembler command lines are well described, so it should be easily understood.

Again, adaption to other controllers based upon this software should be no problem.

Care must be taken when using a different system clock speed. In this case the delay blocks must be recalculated based on the number of machine cycles used.

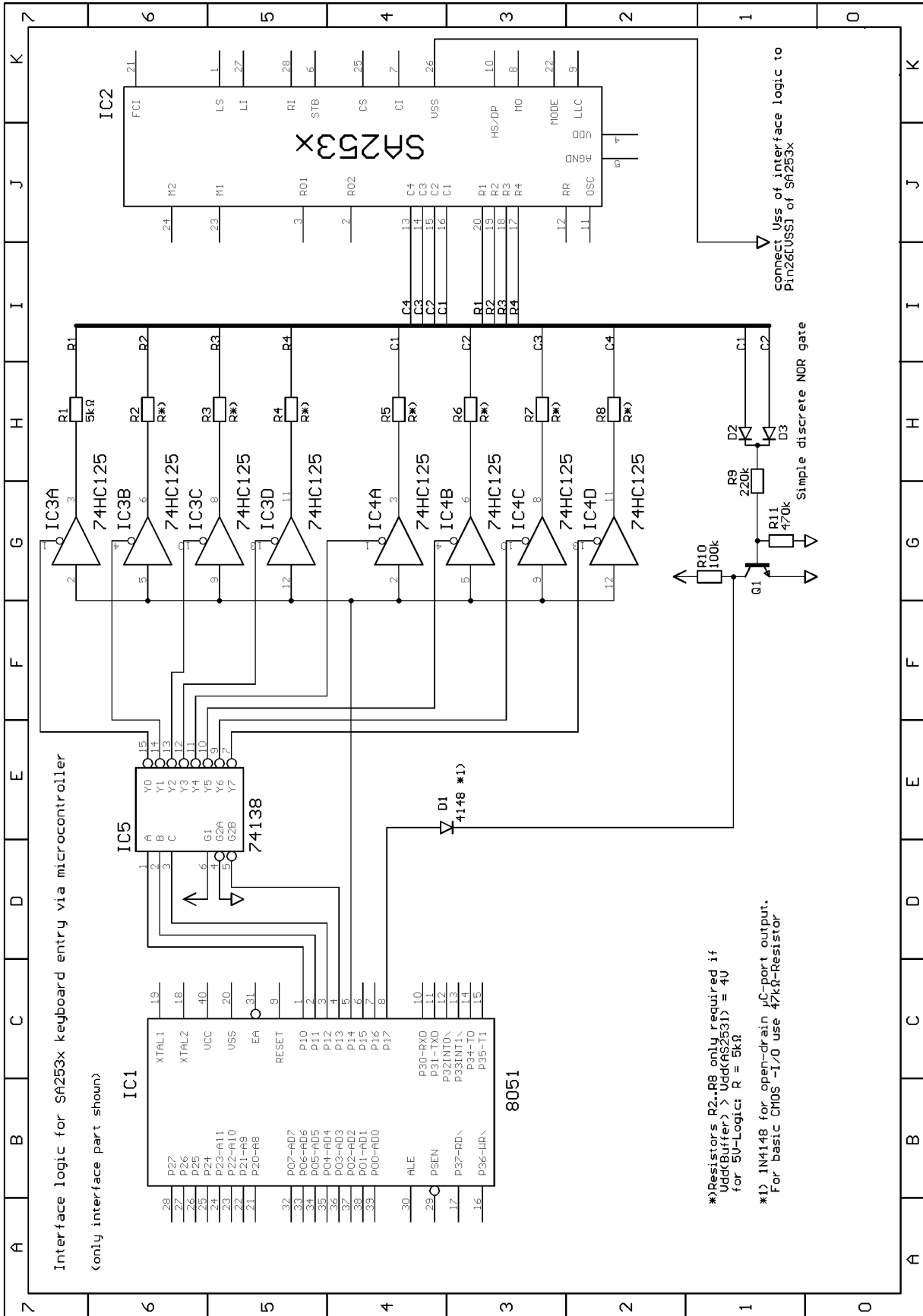
10 Key entry signal table:

Keycode in S/W example	Key - ID. SA2531	Key - ID. SA2532	SCAN 1 Row X force Hi	SCAN 2 Row X force Lo	SCAN 3 Col X force Hi	Synchronization on Col Y:
0	Mute	Mute	R1	R1	C1	C2,3,4
1	1	1	R1	R1	C2	C1,3,4
2	2	2	R1	R1	C3	C1,2,4
3	3	3	R1	R1	C4	C1,2,3
4	4	4	R2	R2	C1	C2,3,4
5	5	5	R2	R2	C2	C1,3,4
6	6	6	R2	R2	C3	C1,2,4
7	7	7	R2	R2	C4	C1,2,3
8	8	8	R3	R3	C1	C2,3,4
9	9	9	R3	R3	C2	C1,3,4
10	0	0	R3	R3	C3	C1,2,4
11	*	*	R3	R3	C4	C1,2,3
12	#	#	R4	R4	C1	C2,3,4
13	Pause	Pause	R4	R4	C2	C1,3,4
14	R	R	R4	R4	C3	C1,2,4
15	R2	R2	R4	R4	C4	C1,2,3
16	LNR	LNR	none	R1	C1	C2,3,4
17	VOL		none	R1	C2	C1,3,4
18	VOL +		none	R1	C3	C1,2,4
19	VOL -		none	R1	C4	C1,2,3
20	Enter		none	R2	C1	C2,3,4
21	M5		none	R2	C2	C1,3,4
22	M6		none	R2	C3	C1,2,4
23	M7		none	R2	C4	C1,2,3
24	M8		none	R3	C1	C2,3,4
25	M9		none	R3	C2	C1,3,4
26	M10		none	R3	C3	C1,2,4
27	M1		none	R3	C4	C1,2,3
28	M2		none	R4	C1	C2,3,4
29	M3		none	R4	C2	C1,3,4
30	M4		none	R4	C3	C1,2,4
31	Mem		none	R4	C4	C1,2,3

Table 1: key entry lookup table



11 Appendix A: Application Schematic



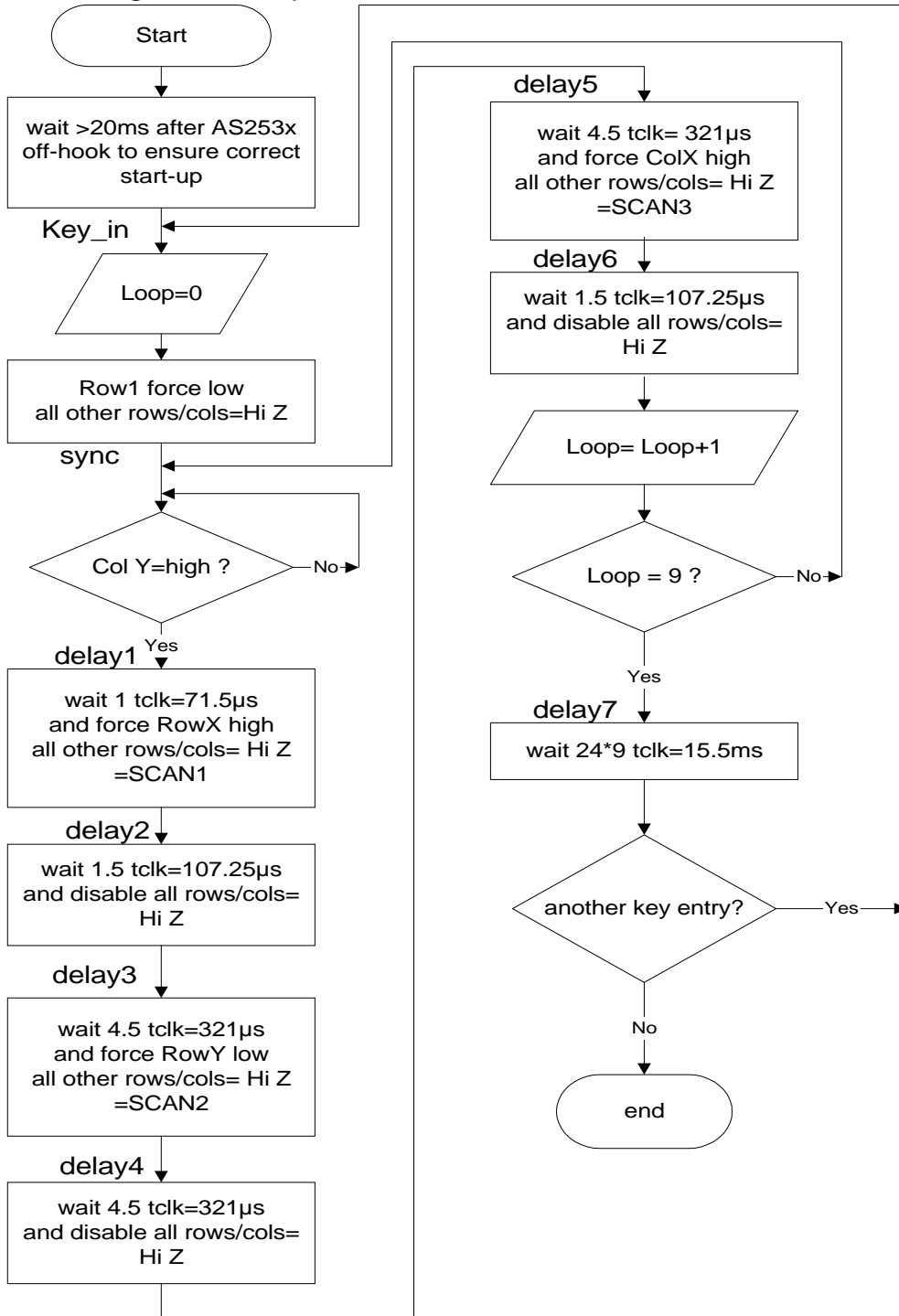
12 Appendix B: Flowchart:

Flowchart for Microcontroller interface to AS253x single-chip-telephone

Notes: RowX, ColX, ColY: see table1

1 tclk= 256/3.58MHz = 71.5µs

all timings: Tol.:+-30µs



13 Appendix C: Sample Software listing

MCS-51 MACRO ASSEMBLER KEY

09/09/96 PAGE 1

```

LOC  OBJ          LINE    SOURCE
                                1    ; (c) Austria Mikro Systeme International AG AMS
                                2    ; J.Janisch / telecom applications
                                3    ; Program name:          KEY.ASM
                                4    ; Version:              A01
                                5    ; Date:                1996-09-09
                                6    ; Author:              J.Janisch / Telecom Applications
                                7    ;
                                8    ; User program for 8051 interface to SA253x for key entry via
                                9    ; microcontroller
                               10    ; Application Note AN3010
                               11    ; Program code is at Address 4000 HEX
                               12    ;
                               13    ; Reference for calculations:
                               14    ; Clock Frequency of Microcontroller (80C31) = 11.0592 MHz
                               15    ;      --> 1 machine cycle = 12 clock cycles = 1.085 us
                               16    ;
                               17    ; Decoder Logic:
                               18    ; Port1:
                               19    ; P1.7 : active low input; detects rising edge of C1 OR C2
                               20    ;      should be set high by any output command to port 1
                               21    ; P1.6 : not used
                               22    ; P1.5 : not used
                               23    ; P1.4 : forces selected row/column high or low
                               24    ; P1.3 : when high, disables all rows/columns (high Z)
                               25    ; P1.2 : row / column selector  MSB
                               26    ; P1.1 : row / column selector
                               27    ; P1.0 : row / column selector  LSB
                               28    ;
                               29    ;      P1.2 P1.1 P1.0   select:
                               30    ;      0   0   0   row 1
                               31    ;      0   0   1   row 2
                               32    ;      0   1   0   row 3
                               33    ;      0   1   1   row 4
                               34    ;      1   0   0   column 1
                               35    ;      1   0   1   column 2
                               36    ;      1   1   0   column 3
                               37    ;      1   1   1   column 4
                               38    ;
                               39
                               40
0000          41    Row1   equ    0
0001          42    Row2   equ    1
0002          43    Row3   equ    2
0003          44    Row4   equ    3
0004          45    Col1   equ    4
0005          46    Col2   equ    5
0006          47    Col3   equ    6
0007          48    Col4   equ    7
0090          49    ForceHi equ   90H
0080          50    ForceLo equ   80H

```



```

PAGE      2
LOC OBJ          LINE    SOURCE
  0088          51    Disable equ      88H
                    52
                    53    ; #####
                    54    ; Main program: load Accumulator with key code (see below) and
                    55    ;                      call subroutine "Key_In"
                    56
4000          57          Org      04000H      ; set start address of program
4000 758160    58          mov      SP,#060H      ; set stack pointer
4003 00        59    HS_OK:  NOP                    ; make sure that at this point
                    60                                ; the SA253x has been off-hook
                    61                                ; for >20ms
4004 740A     62    Ld_Key: mov     a,#10          ; load keycode, here key "0"
4006 12400B   63          Call    Key_in          ; execute keystroke
4009 80FE     64          jmp     $              ; end of main program, exit at
                    65                                ; this point or continue with
                    66                                ; next key entry
                    67                                ; rem.: add additional delay when
                    68                                ; cascading memories (s. Delay7:)
                    69    ; #####
                    70    ; *****
                    71    ; Subroutine Key_in
                    72    ; *****
                    73    ; this subroutine executes a key entry to the SA253x
                    74    ; the corresponding key code(0...31) must be loaded in the accu
                    75    ; see table at label:"scantb1" for key codes
                    76    ; affected Registers:
                    77    ;           A,B,R1,R2,R3,R5,R6,R7,DPTR
                    78
                    79
                    80
400B 12405C   81    Key_in: call   getScTb          ; preload Reg5..7 with scan table
                    82                                ; Row X: variable in Reg5
                    83                                ; Row Y: variable in Reg6
                    84                                ; Col X: variable in Reg7
                    85
400E 7B00     86    Exe_Key:mov    R3,#0            ; clear loop counter
4010 7480     87          mov     a,#ForceLO      ; force R1 low
4012 F590     88          mov     P1,A
4014 3097FD   89    sync:  jnb    P1.7, $          ; make sure, C1= C2 = low
4017 2097FD   90          jb     P1.7, $          ; wait for rising edge C1 or C2
                    91                                ; = trigger for asynch. timing
                    92
                    93    ;- Delay 1:wait 71.5 us = 66 machine cycles and force RowX high
401A 791F     94    delay1: mov    R1,#31          ; 1 cycle
401C D9FE     95          djnz   R1,$            ; 2 cycles; #Loops=(66-4)/2 =31
                    96
401E 7490     97    SCAN1: mov    A,#ForceHi      ; 1 cycle
4020 4D       98          orl    A,R5            ; 1 cycle
4021 F590     99          mov    P1,A            ; 1 cycle
                    100
                    101    ;-----
                    102    ;Delay2:wait 107.25us= 99 machine cycles +disable all rows/cols
4023 7930    103    delay2: mov    R1,#48          ; 1 cycle
4025 D9FE    104          djnz   R1,$            ; 2 cycles; #Loops = (99-3)/2 = 48
4027 7488    105          mov    A,#Disable     ; 1 cycle

```




```

PAGE      3
LOC  OBJ      LINE      SOURCE
4029 F590      106          mov     P1,A           ; 1 cycle
                        107
                        108          ;-----
                        109          ;-- Delay 3:wait 321 us = 295 machine cycles and force RowY low
402B 7991      110  delay3: mov     R1,#145       ; 1 cycle
402D D9FE      111          djnz    R1,$           ; 2 cycles;#Loops=(295-5)/2=145
                        112
402F 00        113  SCAN2: NOP                ; 1 cycle
4030 7480      114          mov     A,#ForceLO       ; 1 cycle
4032 4E        115          orl    A,R6           ; 1 cycle
4033 F590      116          mov     P1,A           ; 1 cycle
                        117
                        118          ;-----
                        119          ;Delay 4: wait 321us= 295 machine cycles +disable all rows/cols
4035 7992      120  delay4: mov     R1,#146       ; 1 cycle
4037 D9FE      121          djnz    R1,$           ; 2 cycles;#Loops=(295-3)/2=146
4039 7488      122          mov     A,#Disable     ; 1 cycle
403B F590      123          mov     P1,A           ; 1 cycle
                        124
                        125          ;-----
                        126          ;--- Delay 5:wait 321 us = 295 machine cycles + force ColX high
403D 7991      127  delay5: mov     R1,#145       ; 1 cycle
403F D9FE      128          djnz    R1,$           ; 2 cycles;#Loops=(295-5)/2=145
                        129
4041 00        130  SCAN3: NOP                ; 1 cycle
4042 7490      131          mov     A,#ForceHi     ; 1 cycle
4044 4F        132          orl    A,R7           ; 1 cycle
4045 F590      133          mov     P1,A           ; 1 cycle
                        134
                        135          ;-----
                        135          ;Delay 6:wait 107.25us=99 machine cycles +disable all rows/cols
4047 7930      136  delay6: mov     R1,#48        ; 1 cycle
4049 D9FE      137          djnz    R1,$           ; 2 cycles;#Loops=(99-3)/2 = 48
404B 7488      138          mov     A,#Disable     ; 1 cycle
404D F590      139          mov     P1,A           ; 1 cycle
                        140
                        141          ;-----
404F 0B        142          inc     R3             ; increment loop counter
4050 BB09C1    143          cjne   R3,#9,Sync     ; repeat loop 9 times
                        144
                        145
                        146          ;----- Delay 7: wait >15444 us = 14233 machine cycles before
                        147          ;----- next key entry
                        148          ;----- Remark: when cascading memory keys (M1..M10, Mem)
                        149          ;----- dialling of a subsequent stored number is only accepted
                        150          ;----- when the previous number has been fully dialled out.
                        151          ;----- Example1: key entry is "M1","M2"
                        152          ;----- M2 is only detected when M1 has completed dialing
                        153          ;----- its stored number, a delay has to be added between
                        154          ;----- key entries
                        155          ;----- Example2: key entry is "M1","0"
                        156          ;----- numbers are stored in FIFO ,so they can be entered
                        157          ;----- immediately after a Memory entry, no additional
                        158          ;----- delay necessary
4053 7900      159  delay7: mov     R1,#0         ;
4055 7A1C      160          mov     R2,#28

```



```

PAGE      4
LOC  OBJ          LINE    SOURCE
4057 D9FE         161    Del7a: djnz    R1,$          ; =256*2 machine cycles
4059 DAFD         162              djnz    R2,Del7a        ; =2 machine cycles
                               163                          ; 28*(256*2+2)=14392mc's=15.6ms
                               164
405B 22          165              ret              ; return from subroutine
                               166
                               167
                               168      ;*****
                               169      ; Subroutine GetScTb
                               170      ;*****
                               171      ; this subroutine loads the Reg5..Reg7 registers according to
                               172      ; the keycode passed by the accumulator contents.
                               173      ; valid keycodes are 0.....31 (dec) = 0....1F (Hex)
                               174
                               175
405C 904074      176    GetScTb:mov    dptr,#Scantbl  ; calculate offset Address:
405F 75F003      177              mov     B,#3          ; scantable startaddress
4062 A4          178              mul     AB           ;      + (keycode *3)
4063 F5F0        179              mov     B,A          ; save offset address
                               180
4065 93          181              movc   A,@A+DPTR      ; get scan table: Row X
4066 FD         182              mov     R5,A        ; RowX
                               183
4067 E5F0        184              mov     A,B
4069 04          185              inc     A            ; get next code
406A F5F0        186              mov     B,A          ; save
406C 93          187              movc   A,@A+DPTR      ; get scan table: Row X
406D FE         188              mov     R6,A        ; RowY
                               189
406E E5F0        190              mov     A,B
4070 04          191              inc     A            ; get next code
4071 93          192              movc   A,@A+DPTR      ; get scan table: Row X
4072 FF         193              mov     R7,A        ; ColX
                               194
4073 22          195              ret
                               196
                               197      ; Scan table: the three constants indicate the rows/columns
                               198      ;                to be driven in the SCAN1....SCAN3 phase
                               199      ;
4074 00          200    Scantbl:db    Row1,Row1,Col1  ; key "Pgm/Mt, keycode= 0
4075 00
4076 04
4077 00          201              db     Row1,Row1,Col2  ; key "1"      , keycode= 1
4078 00
4079 05
407A 00          202              db     Row1,Row1,Col3  ; key "2"      , keycode= 2
407B 00
407C 06
407D 00          203              db     Row1,Row1,Col4  ; key "3"      , keycode= 3
407E 00
407F 07
4080 01          204              db     Row2,Row2,Col1  ; key "4"      , keycode= 4
4081 01
4082 04
4083 01          205              db     Row2,Row2,Col2  ; key "5"      , keycode= 5

```



PAGE 5

LOC	OBJ	LINE	SOURCE
4084	01		
4085	05		
4086	01	206	db Row2,Row2,Col3 ; key "6" , keycode= 6
4087	01		
4088	06		
4089	01	207	db Row2,Row2,Col4 ; key "7" , keycode= 7
408A	01		
408B	07		
408C	02	208	db Row3,Row3,Col1 ; key "8" , keycode= 8
408D	02		
408E	04		
408F	02	209	db Row3,Row3,Col2 ; key "9" , keycode= 9
4090	02		
4091	05		
4092	02	210	db Row3,Row3,Col3 ; key "0" , keycode= 10
4093	02		
4094	06		
4095	02	211	db Row3,Row3,Col4 ; key "*" , keycode= 11
4096	02		
4097	07		
4098	03	212	db Row4,Row4,Col1 ; key "#" , keycode= 12
4099	03		
409A	04		
409B	03	213	db Row4,Row4,Col2 ; key "PS,R1" , keycode= 13
409C	03		
409D	05		
409E	03	214	db Row4,Row4,Col3 ; key "R,R2" , keycode= 14
409F	03		
40A0	06		
40A1	03	215	db Row4,Row4,Col4 ; key "R2,R3" , keycode= 15
40A2	03		
40A3	07		
40A4	88	216	db disable,Row1,Col1 ; key "LNR" , keycode= 16
40A5	00		
40A6	04		
40A7	88	217	db disable,Row1,Col2 ; key "Vol" , keycode= 17
40A8	00		
40A9	05		
40AA	88	218	db disable,Row1,Col3 ; key "Vol+" , keycode= 18
40AB	00		
40AC	06		
40AD	88	219	db disable,Row1,Col4 ; key "Vol-" , keycode= 19
40AE	00		
40AF	07		
40B0	88	220	db disable,Row2,Col1 ; keycode= 20
40B1	01		
40B2	04		
40B3	88	221	db disable,Row2,Col2 ; keycode= 21
40B4	01		
40B5	05		
40B6	88	222	db disable,Row2,Col3 ; keycode= 22
40B7	01		
40B8	06		
40B9	88	223	db disable,Row2,Col4 ; keycode= 23
40BA	01		



PAGE 6

LOC	OBJ	LINE	SOURCE
40BB	07		
40BC	88	224	db disable,Row3,Col1 ; keycode= 24
40BD	02		
40BE	04		
40BF	88	225	db disable,Row3,Col2 ; keycode= 25
40C0	02		
40C1	05		
40C2	88	226	db disable,Row3,Col3 ; keycode= 26
40C3	02		
40C4	06		
40C5	88	227	db disable,Row3,Col4 ; keycode= 27
40C6	02		
40C7	07		
40C8	88	228	db disable,Row4,Col1 ; keycode= 28
40C9	03		
40CA	04		
40CB	88	229	db disable,Row4,Col2 ; keycode= 29
40CC	03		
40CD	05		
40CE	88	230	db disable,Row4,Col3 ; keycode= 30
40CF	03		
40D0	06		
40D1	88	231	db disable,Row4,Col4 ; keycode= 31
40D2	03		
40D3	07		
		232	
		233	
		234	end

REGISTER BANK(S) USED: 0

ASSEMBLY COMPLETE, NO ERRORS FOUND



14 Liability and Copyright Statement

Disclaimer: The information contained in this document is confidential and proprietary to South African Micro-Electronic Systems (Pty) Ltd ("SAMES") and may not be copied or disclosed to a third party, in whole or in part, without the express written consent of SAMES. The information contained herein is current as of the date of publication; however, delivery of this document shall not under any circumstances create any implication that the information contained herein is correct as of any time subsequent to such date. SAMES does not undertake to inform any recipient of this document of any changes in the information contained herein, and SAMES expressly reserves the right to make changes in such information, without notification, even if such changes would render information contained herein inaccurate or incomplete. SAMES makes no representation or warranty that any circuit designed by reference to the information contained herein, will function without errors and as intended by the designer.

South African Micro-Electronic Systems (Pty) Ltd

P O Box 15888,
Lynn East,
0039
Republic of South Africa,

33 Eland Street,
Koedoespoort Industrial Area,
Pretoria,
Republic of South Africa

Tel: 012 333-6021
Fax: 012 333-3158

Tel: Int +27 12 333-6021
Fax: Int +27 12 333-3158

Web Site : <http://www.sames.co.za>

